

RS232 / RS485 To multi-channel RS485 industrial HUB manual

Please read the product manual carefully before using the product

Product introduction

This product is a universal RS232/RS485 to multi-channel RS485 bidirectional hub. It is compatible with RS232C and RS485 standards. It can convert single-ended RS232/RS485 signals into balanced differential multiple RS485 signals, providing 600W lightning strike per line Surge protection power, surge voltage and transient overvoltage generated on the line for various reasons, and extremely small inter-electrode capacitance ensure high-speed transmission of RS485 interface. Wide range of applications: industrial automation control systems, access control systems, power control systems, parking lot systems, etc.

Scope of application



Basic parameters

- Compatible with RS232, RS485 TIA/EIA standards
- Communication rate: 300bps-921600bps
- Each group can connect 32 RS485 devices
- Each group can send and receive data independently (no need for multi-channel bus to simultaneously send and receive switching mode)
- Communication distance: 1200 meters
- Working power supply: DC9-38V
- Working mode: asynchronous half-duplex (RS485)
- RS485 provides 600W lightning protection, surge, ±15KV ESD protection per line and prevents common ground interference
- Operating environment: -20 °C to 80 °C, relative humidity is 5% to 95%
- Suitable for the communication software used, plug and play
- Support all operating systems

1

Product features

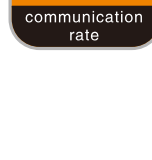
Separate data sending and receiving

Each group can send and receive data independently (no need for 3 bus to send and receive switching mode at the same time).



Communication rate

Communication rate: 300bps-921600bps. Each group can connect 32 RS485 devices.



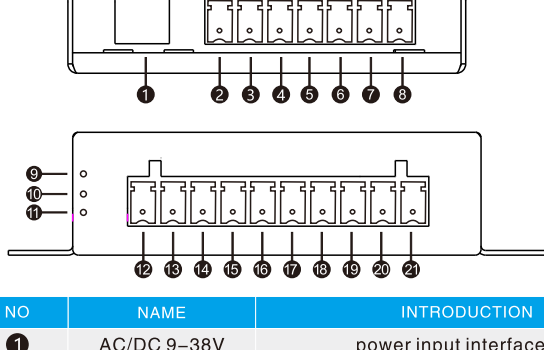
Lightning protection, anti-interference

Adopt lightning protection design, each line provides 600W lightning resistance, plus independent DC/DC power source, such a design makes the product has a strong resistance. The jamming capability is greatly improved in the system in the bad ring. Reliability for use in the environment.



2

Interface specification

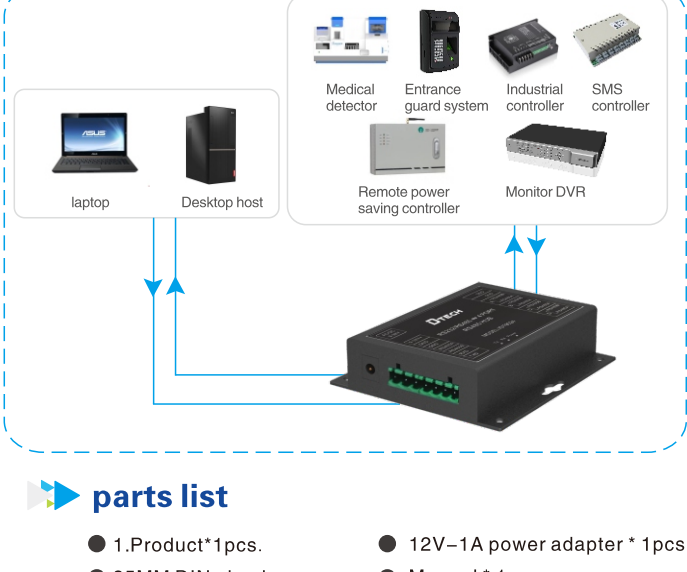


| NO | NAME | INTRODUCTION | |
|----|-------------|---|--|
| 1 | AC/DC 9-38V | power input interface | |
| 2 | 9-38V | power supply positive input interface | |
| 3 | +GND | GND Power ground | |
| 4 | | Signal ground | |
| 5 | RS485A | RS485 A input communication interface | |
| 6 | RS485B | RS485 B input communication interface | |
| 7 | RXD | RS232 RXD input communication interface | |
| 8 | TXD | RS232 TXD input communication interface | |
| 9 | TX | TX transmit indicator | |
| 10 | RX | RX receiving indicator | |
| 11 | POWER | POWER power light | |
| 12 | D group | RS485A | D group RS485 A output communication interface |
| 13 | | RS485B | D group RS485 B output communication interface |
| 14 | C group | RS485A | C group RS485 A output communication interface |
| 15 | | RS485B | C group RS485 B output communication interface |

3

| | | | | |
|----|---------|--------|---------|--|
| 16 | B group | RS485A | B group | RS485 A output communication interface |
| 17 | | RS485B | B group | RS485 B output communication interface |
| 18 | A group | RS485A | A group | RS485 A output communication interface |
| 19 | | RS485B | A group | RS485 B output communication interface |
| 20 | GND | | | GND Ground |
| 21 | | | | GND Ground |

connection schematic diagram



parts list

- 1.Product* 1pcs.
- 35MM DIN aluminum rail buckle * 1pcs.
- 12V-1A power adapter * 1pcs.
- Manual * 1pcs.

4

Product Warranty Card

Customer Information

| | |
|--------------------|--------------------|
| Model: | |
| Date of purchased: | |
| User telephone: | |
| User address: | |
| Distributor: | |
| Agency address: | |
| User telephone: | Dealer stamp valid |

Intenance Records

| Repair times | Date | Fault | Treatment measures | Repair work NO. |
|--------------|------|-------|--------------------|-----------------|
| | | | | |
| | | | | |
| | | | | |

5